

Relay module to replace the obsolete Axicom MT4 / Siemens V23104 series of 4 pole telecom relays. nominal coil voltages: 5V, 12V & 24V

Direct replacement for the Axicom MT4-C93801, MT4-C93802, MT4-C93803 and Siemens V23104 relays

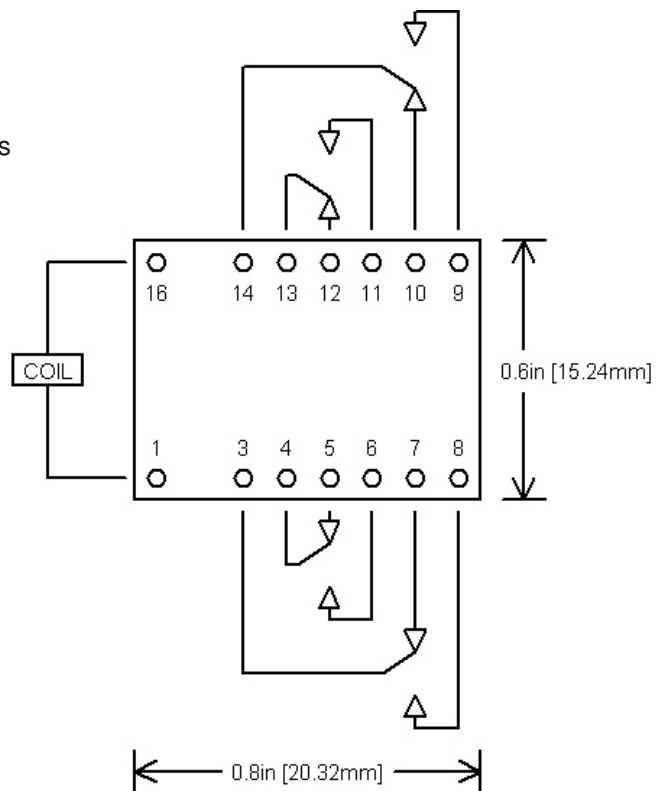
The Cephos C-MT4 module dimensions are: 20.32 x 15.24mm, identical to the original MT4 / V23104 footprints.

4 pole telecom / signal relay, 4 pole changeover / 4 Form C / 4PDT

Max. Switching power
 Max. Switching voltage
 Max. Switching current
 Bifurcated contacts

60W / 62.5VA
 220V_{DC} / 250V_{AC}
 2A
 Palladium-Ruthenium, gold covered

The C-MT4 replacement module consists of two IM series relays on a 0.8mm FR4 pcb with pinning to match the original MT4 together with a miniature slide switch to select the polarity of the IM series relay as the original MT4 / V23104 relays were not polarised.



This innovative solution results in the requirement of just a single replacement option for each coil voltage

Nominal Voltage V _{NOM} (dc)	Cephos C-MT4 Part No.	Original Axicom Part Nos. [obsolete]	Original Siemens Part Nos. [obsolete]	Alternative to Tyco / RS Part Nos.
5	C-MT4/1	MT4-C93801 1462032-1 [RS 422-6947]	V23104A1001B101 1393764-1	C93821 / C93821E 2-1462032-1 / 2-1462032-5 RS 148-575 / 148-569
12	C-MT4/3	MT4-C93802 1462032-4 [RS 422-6953]	V23104A1003B101 1393764-2	C93822 / C93822E 2-1462032-2 / 2-1462032-6 RS 148547 / 148-553
24	C-MT4/5	MT4-C93803 1462032-7 [RS 422-6975]	V23104A1005B101 1393764-3	C93823 / C93823E 2-1462032-3 / 2-1462032-7 RS 148-525 / 148631